

Before you begin — This unit is supplied with a set of three ceramic fiber logs. Do not handle these logs with your bare hands. Always wear gloves to prevent skin irritation from ceramic fibers. After handling logs, wash your hands gently with soap and water to remove any traces of fibers.

WARNING The positioning of the logs is critical to the safe and clean operation of this heater. Sooting and other problems may result if the logs are not properly and firmly positioned in the appliance. Never add additional logs or embellishments such as pine cones, vermiculite or rock wool to the heater.

WARNING Failure to position the parts in accordance with these diagrams or failure to use only parts specifically approved with this heater may result in property damage or personal injury.

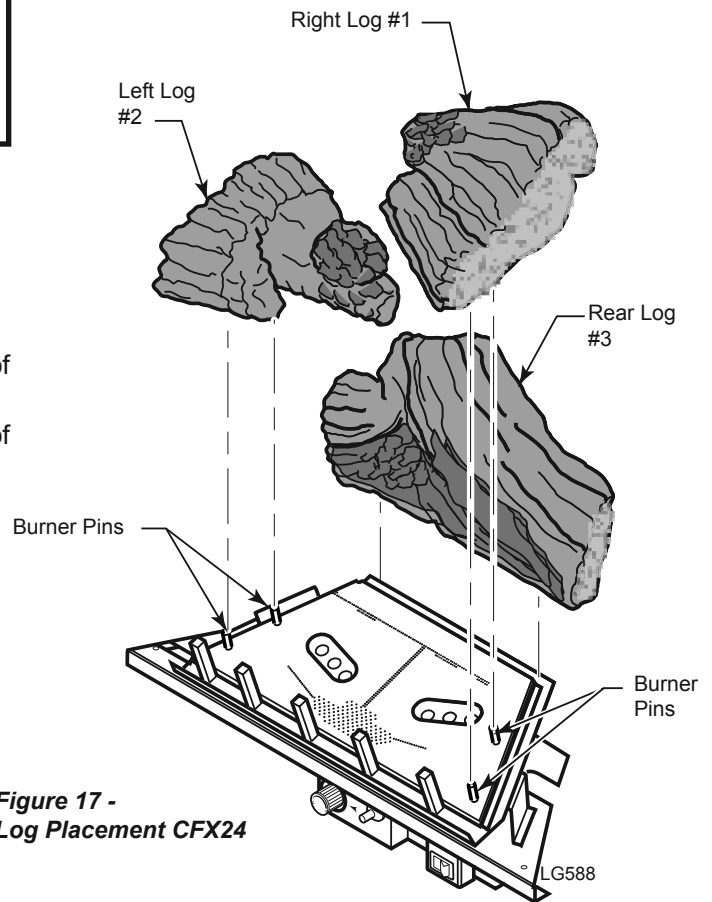
CAUTION DO NOT sprinkle volcanic rock on the logs or around the pilot or the main burner. This may cause sooting. Only place volcanic rock on the floor of the fireplace.

During initial operation of the new heater, burning logs will give off a paper burning smell and orange flames will be present. Simply open the windows for a few hours to vent the odor.

PROPER INSTALLATION SEQUENCE (CFX24)

Figure 17

1. Install the **rear log (#3)** on back of burner.
2. Install the **right log (#1)** on burner pins on right side of burner.
3. Install the **left log (#2)** on burner pins on left side of burner.



PROPER INSTALLATION SEQUENCE (CFX32)

Figure 18

1. Install **front right log (#1)** on two pins on right side of burner.
2. Install **left front log (#2)** on two pins on left side of burner.
3. Install **back log (#3)** on back of burner.
4. Install **right middle log (#4)** on two pins on burner. Rest right end of right middle log on the right front log.
5. Install **left middle log (#5)** on two pins on burner. Rest left end of left middle log on left front log.

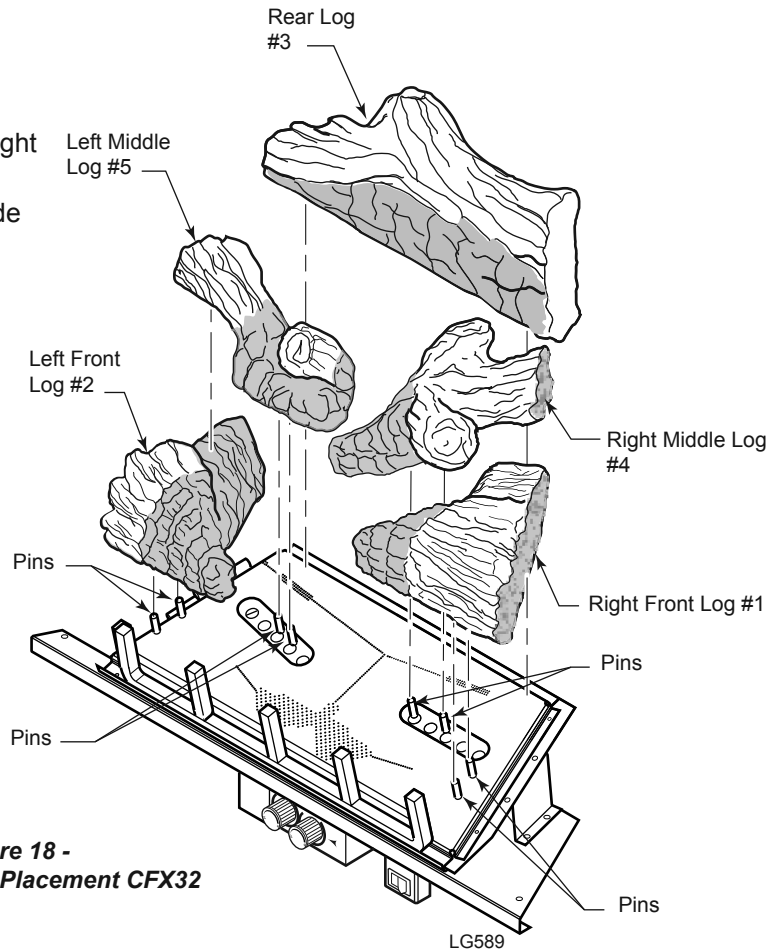


Figure 18 -
Log Placement CFX32

PLACE ROCK WOOL

After installing logs, pull apart dime-size pieces of rock wool. Place rock wool evenly over burner ports. Wash hands after installing rock wool. Itching may occur.

CAUTION

- Use only rock wool provided with log set.
- Do not add additional rock wool.
- Place rock wool on burner ports only.
- Keep air gap between rear log and burner CLEAN.

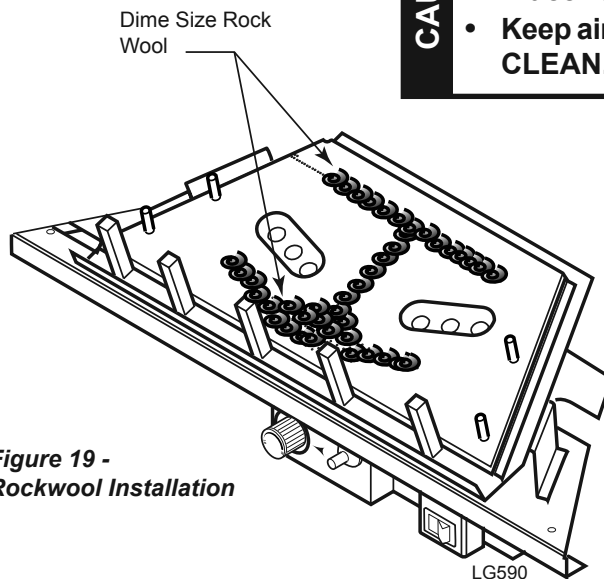


Figure 19 -
Rockwool Installation